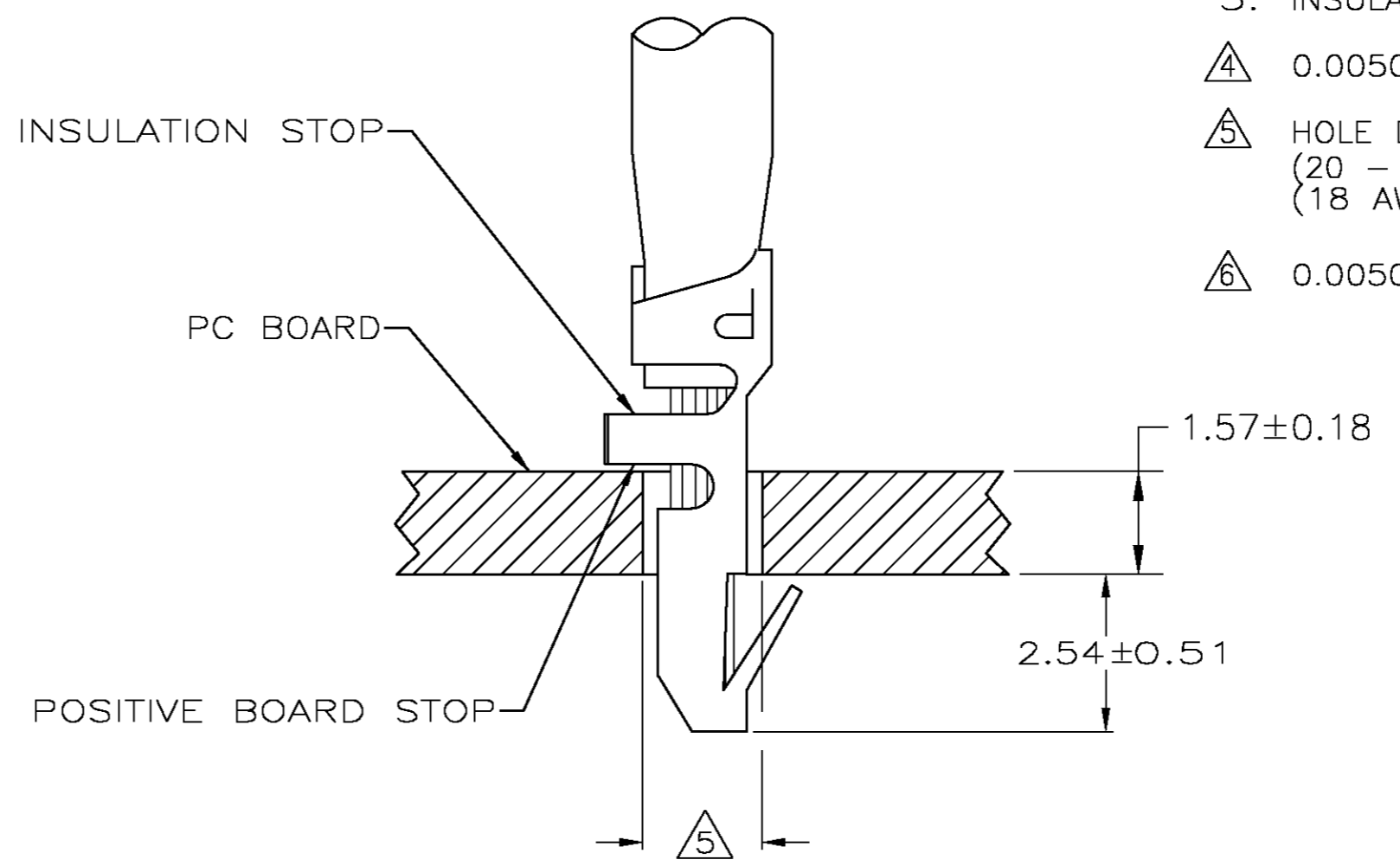
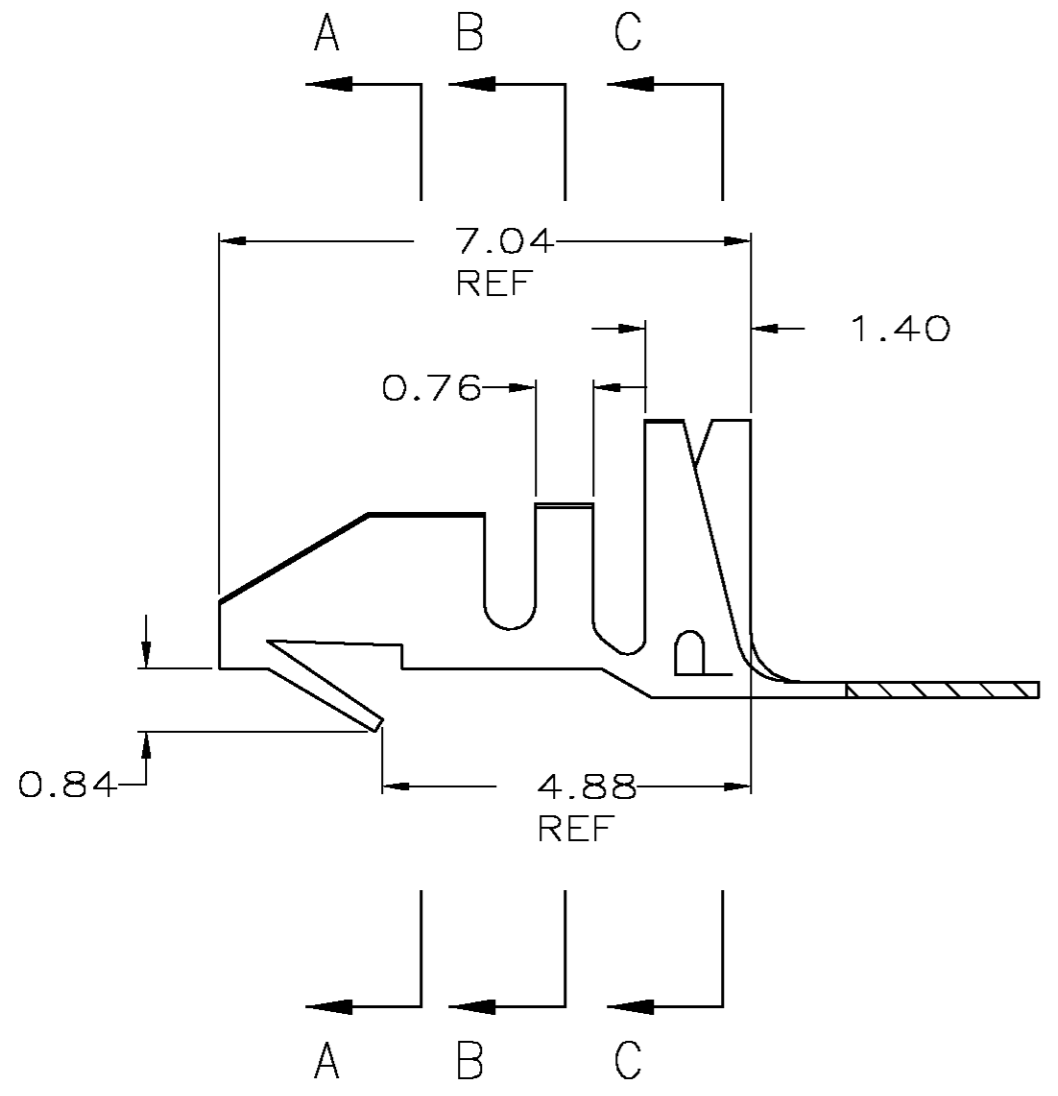
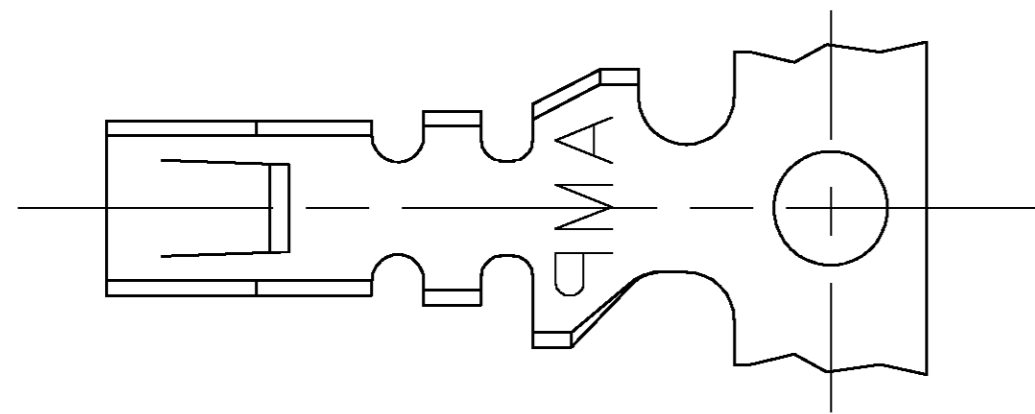
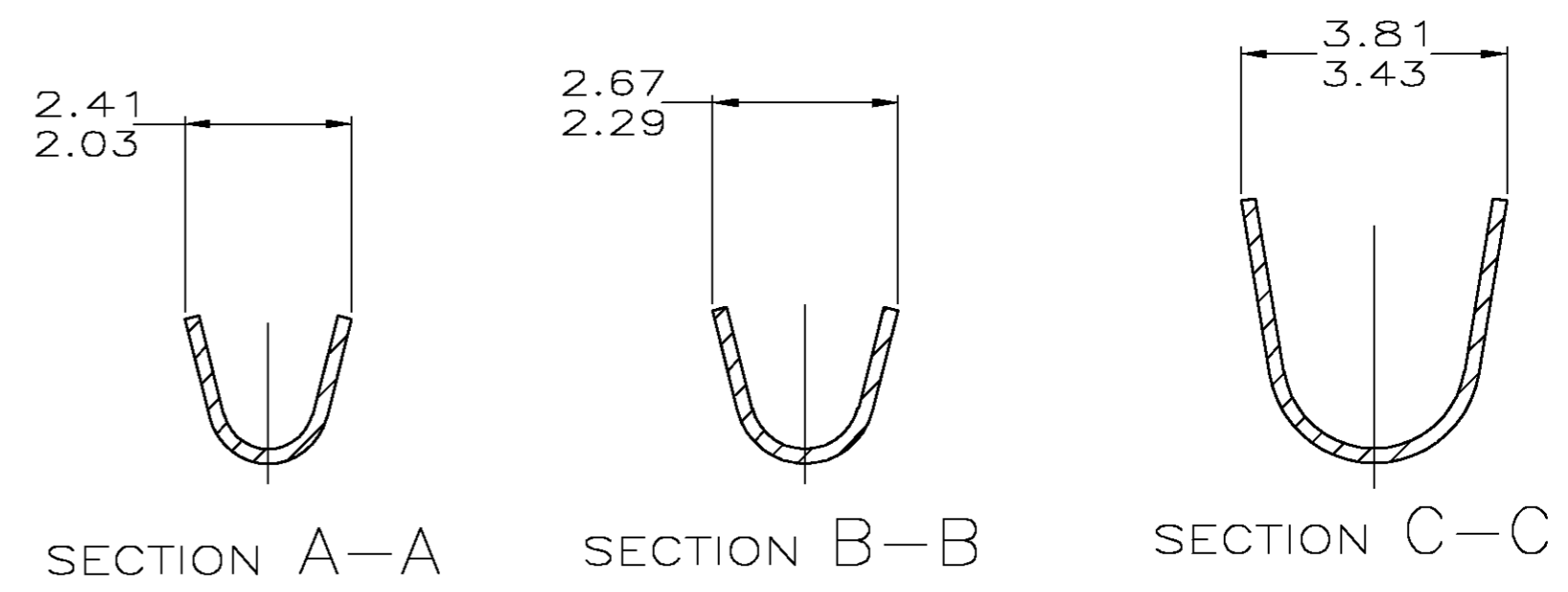


THIS DRAWING IS UNPUBLISHED. RELEASED FOR PUBLICATION
 © COPYRIGHT BY TYCO ELECTRONICS CORPORATION. ALL RIGHTS RESERVED.

LOC	DIST	REVISIONS			
P	LTR	DESCRIPTION	DATE	DWN	APVD
CM	00	C	REV PER ECN 0G3B-0383-03	21AUG03	SC JE



- PARTS COMPLY WITH AMP SOLDERABILITY SPECIFICATION 109-11-2.
- WIRE RANGE: 0.3 - 0.9 MM² (22 - 18 AWG).
- INSULATION RANGE: 1.52 - 2.79
- 0.00508 MIN BRIGHT TIN-LEAD.
- HOLE DIAMETER TO BE 1.83±0.08 FOR WIRE 0.3 - 0.6 MM² (20 - 22 AWG) OR 1.96±0.08 FOR WIRE 0.8 - 0.9 MM² (18 AWG).
- 0.00508 MIN BRIGHT TIN.



MM	IN	MM	IN	MM	IN	MM	IN
0.51	.020	1.52	.060	2.54	.100	-	-
0.3	.01	1.40	.055	2.41	.095	7.04	.277
0.20	.008	0.9	.04	2.29	.090	4.88	.192
0.18	.007	0.84	.033	2.03	.080	3.81	.150
0.13	.005	0.8	.03	1.96	.077	3.43	.135
0.08	.003	0.76	.030	1.83	.072	2.79	.110
0.00508	.000200	0.6	.02	1.57	.062	2.67	.105
MM	IN	MM	IN	MM	IN	MM	IN

CONVERSION TABLE

METRIC

THIS DRAWING IS A CONTROLLED DOCUMENT.		DWN S. CARPENTER 21AUG2003	Tyco Electronics Corporation Harrisburg, PA 17105	
DIMENSIONS: MM		CHK J. ELLIS 21AUG2003		
TOLERANCES UNLESS OTHERWISE SPECIFIED:		APVD J. ELLIS 21AUG2003	NAME TERMINAL, MINI AMP-IN™ 2000	
0 PLC ±		PRODUCT SPEC 108-1081	SIZE A2	
1 PLC ±		APPLICATION SPEC 114-1016	CAGE CODE 00779	DRAWING NO C=794121
2 PLC ± 0.13		WEIGHT	RESTRICTED TO	
3 PLC ±		CUSTOMER DRAWING		
4 PLC ±		SCALE 10:1	SHEET 1 OF 1	REV C
ANGLES ±				
FINISH				
MATERIAL 0.20 PH BRZ				